



PD6200/43

High Output Two-Way Mid/High Frequency Loudspeaker

Key Features:

▶ H 200 (8) - CMCD
C M C D PL

▶ L HF

▶ L P P 40 30
PL

▶

▶

Applications:

▶ P

▶ L

▶ A

▶ H

▶ D

▶

PD6200/43 P D
40 30 -

CMCD-82H

CMCD-82H'

200 (8)
D D
2432H

L P P

A

M10

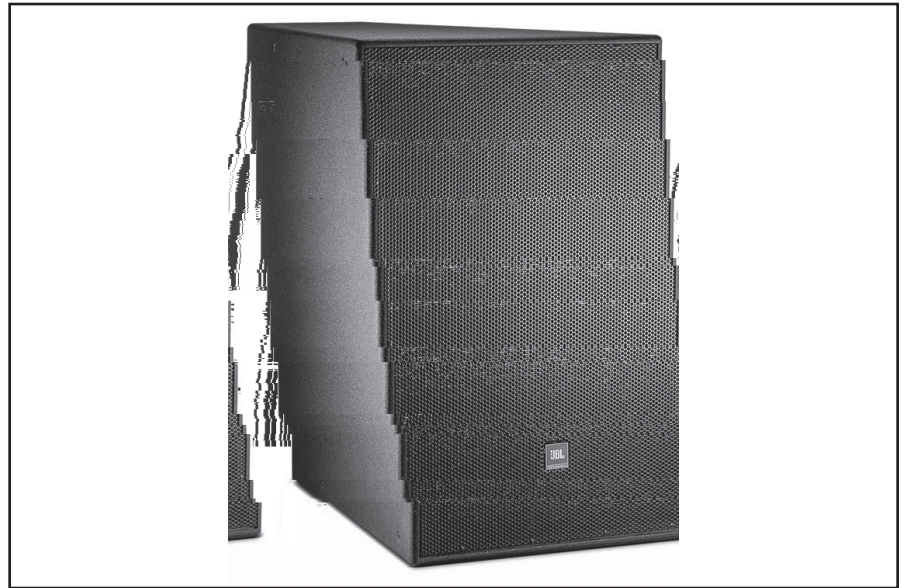
PD6200/43

JBL

PD700

PL

AE



Specifications:

F	(-10 B):	200 H	18 H
F	(3 B):	240 H	16 H
C	P	: 40	30
D	F	():	24.1
D	I	(DI):	16.0 B
C	M	: B-	/P
P	C	: 1.7	H
P		MF: 350	(1400), 100
	(AE):	HF: 75	(300), 2
L	-	P	M : 300 (1200), 100
	(IEC):		
M	PL:	B-	: MF: 137 B- PL (143 B)
			: HF: 135 B- PL (141 B)
		P	: 136 B- PL (142 B)
	(1 @ 1):	P	M : 111 B- PL
Transducers:			
M	F	D	: CMCD 82H - 200
		(8)	D D
N	I	:	8
	(1 , 1	:	112 B- PL
		:	
H	F	D	: 2432H, 38 (1.5)
N	I	:	8
	(1 @ 1):	:	116 B- PL
		MF: P	-N43MF 600 600 (24 24)
		HF: P	-H43HF 300 300 (12 12)
Physical:			
E	:	12.5	, 16 (5/8)
	11-	F	
A	:	20 (5 , 5 , 4 , 2)	M10
	(NO)
F	:	B D F	(- H)
O	:	WRC	WRX
	C/	x	
G	:	P	14
	()
I	C	:	N NL4, CE-
		B	5.2 (10 A G)
		9	(.375)
E	:	M - 810; IP- 3	IEC529. F
	C	x	
	D	:	991 673 897
(H	D	:	(39.0 26.5 35.3)
	N	:	69.0 (152)
O	A	:	229-00009-01 M10 35

¹ I

²

³ AE

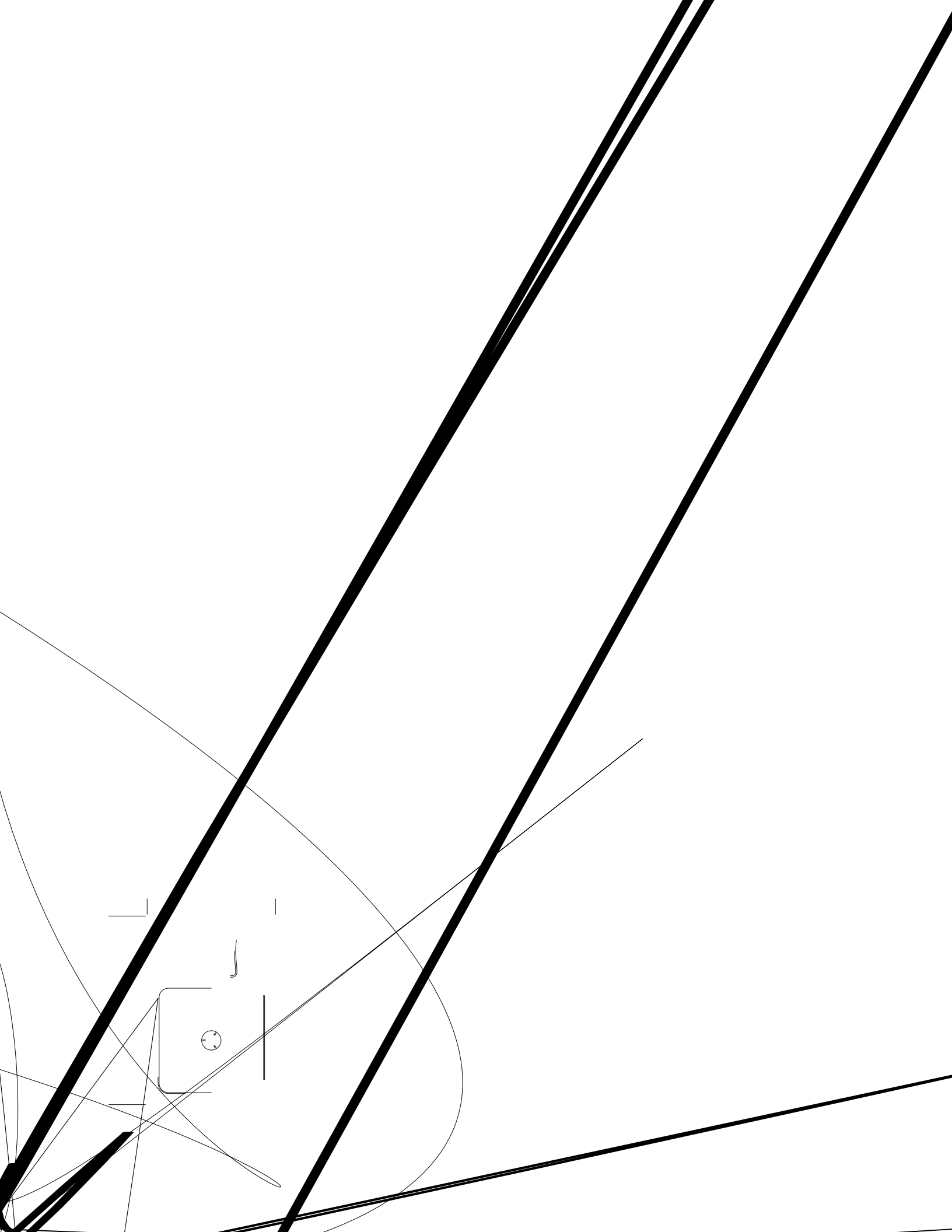
⁴ IEC

⁵ C

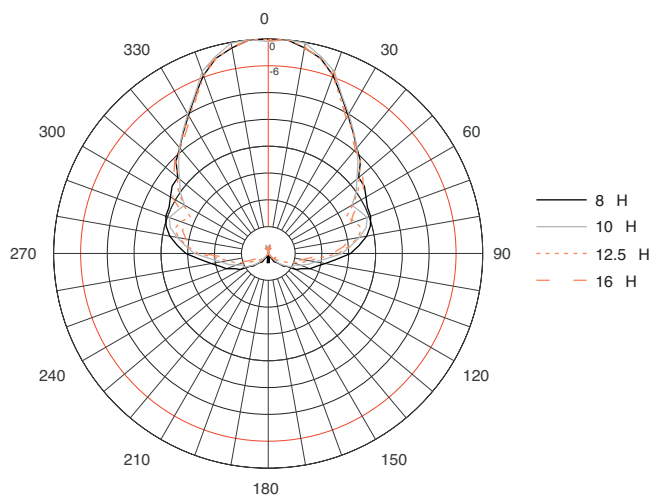
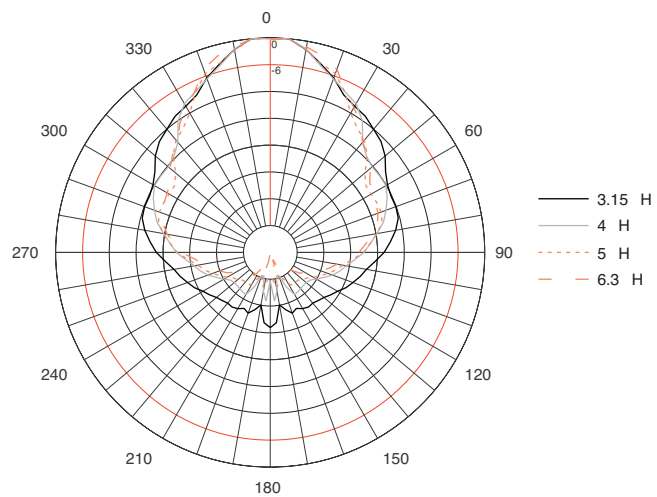
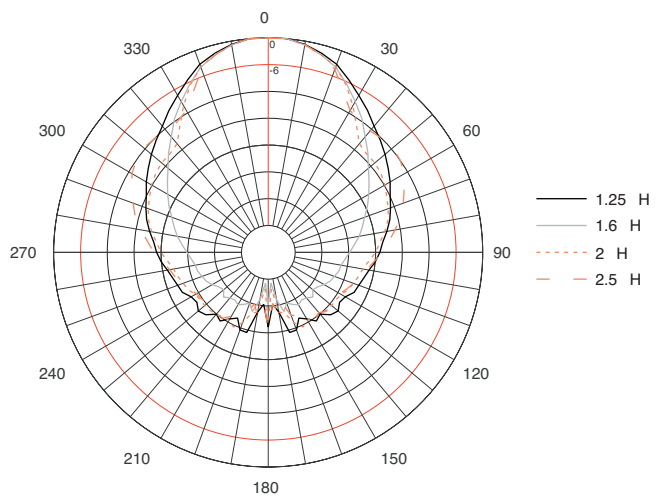
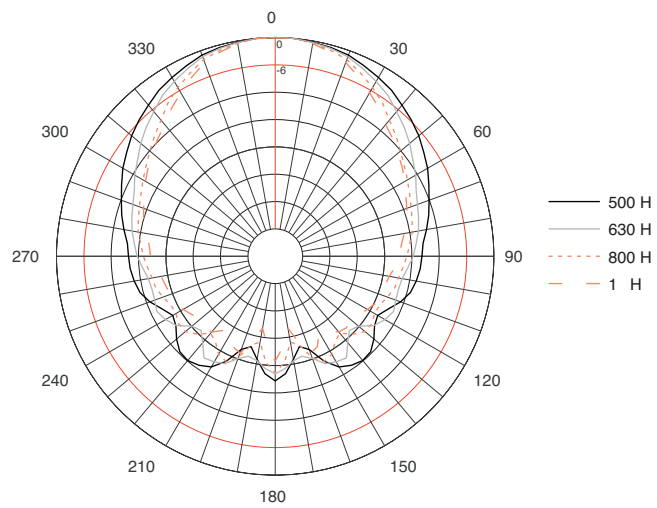
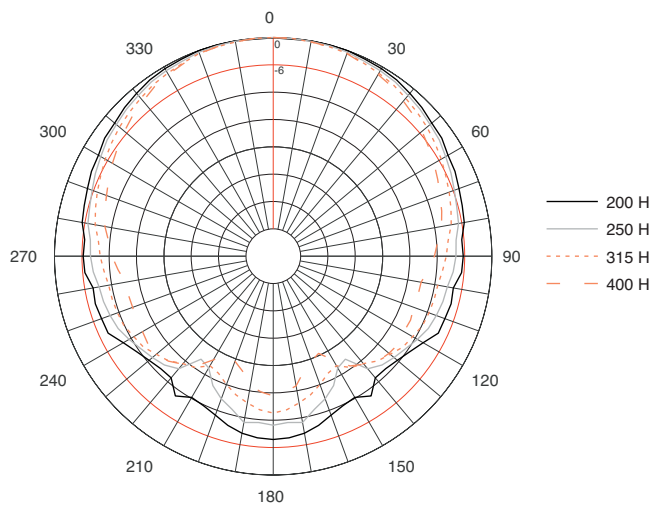
⁶ A

JBL

AE 2

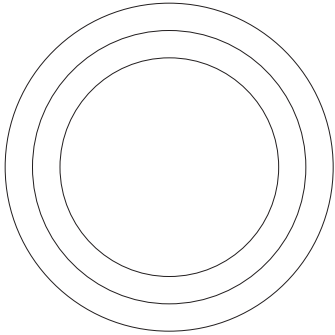


Horizontal 1/3 Octave Polars



▶ PD6200/43 High Output Two-Way Mid/High Frequency Loudspeaker

Vertical 1/3 Octave Polars



JBL P
8500 B B , P.O. B 2200
N , C 91329 .A.

© Copyright 2014 JBL Professional
www.jblpro.com

SS PD6200/43
CRP
06/14