



# SM48 SM48S

Online user guide for SM48 and SM48S unidirectional dynamic microphones.  
Version: 3 (2019-D)

---

# Table of Contents

		<b>6</b>
<b>SM48 SM48S</b>	<b>3</b>	6
<b>SM48 /SM48S</b>	<b>3</b>	6
	3	6
	3	<b>7</b>
	<b>3</b>	

---

# SM48 SM48S

---

# SM48 / SM48S

Shure SM48 SM48S  
/ SM48S

- 
- 
- 
- 
- 
- 
- 
- 
- Shure

---

55 14,000

EIA 150 (270 )

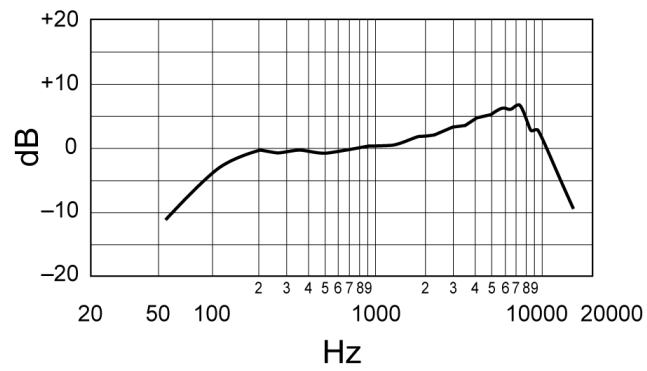
1 ,  
 -57.5 / [1] (1.3 )

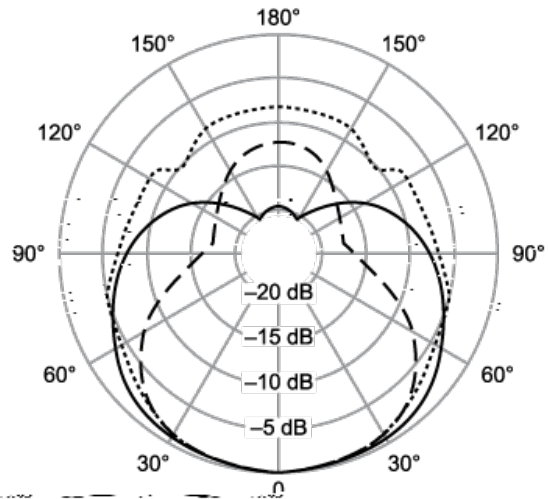
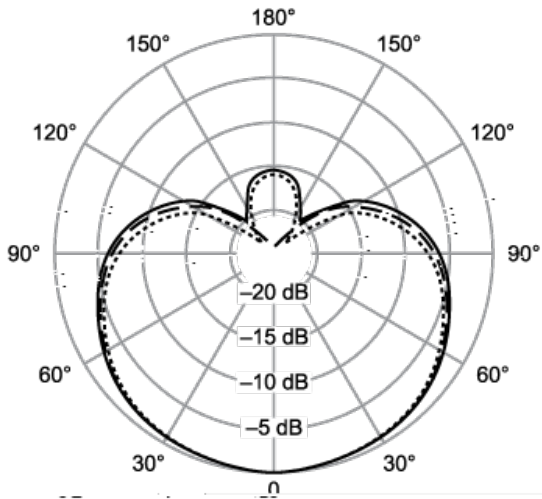
2 3

: 0.37 (0.82 ) : 0.672 (1.5 )

(XLR),

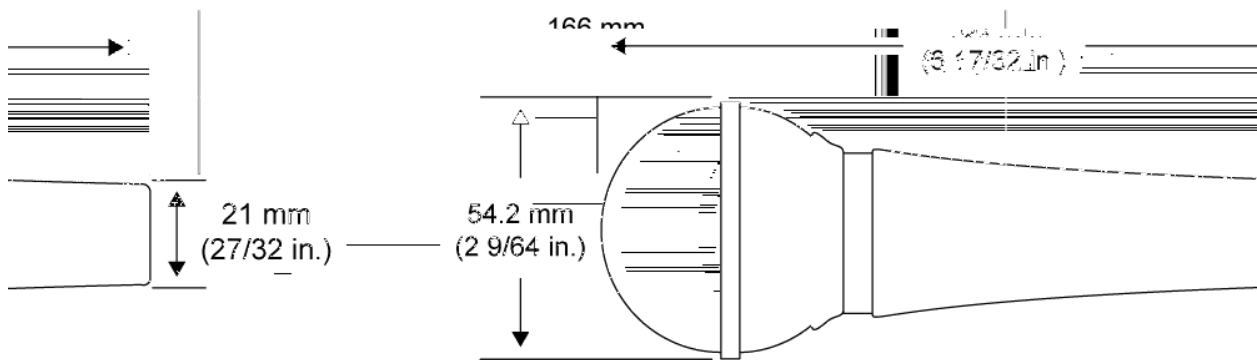
[1] Pa=94 dB SPL

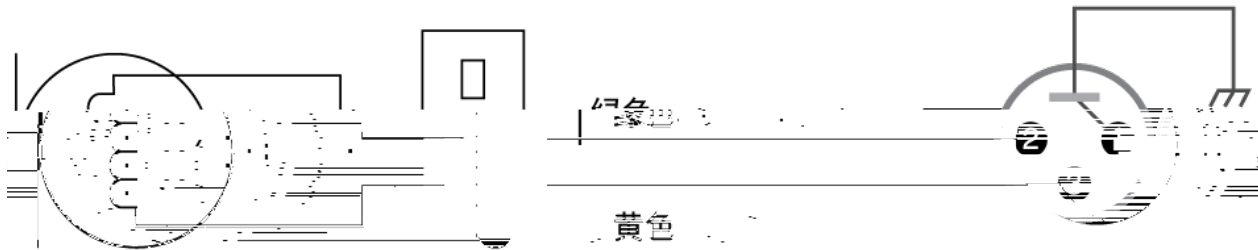




— 250 Hz  
- - - 500 Hz  
- - - 1000 Hz

— 2500 Hz  
- - - 6300 Hz  
- - - 10000 Hz





	A25D
/	95A2313

(6 )	A58WS
	S37A
SM58、SM86、SM87、SM87A、BETA87A、BETA87C SHOCKSTOPPER™	3/4 A55M
SHOCKSTOPPER ( )	A55HM
	A26M
25 (7.6 ) TRIPLE-FLEX™ , XLR	C25F

Grille for SM48 Series	RK248G
------------------------	--------

---

Cartridge for SM48	R136
--------------------	------

---

CE

"CE

" : [www.shure.com/europe/compliance](http://www.shure.com/europe/compliance)

Shure Europe GmbH

Jakob-Dieffenbacher-Str.12

75031 Eppingen, Germany

: +49-7262-92 49 0

: +49-7262-92 49 11 4

: info@shure.de