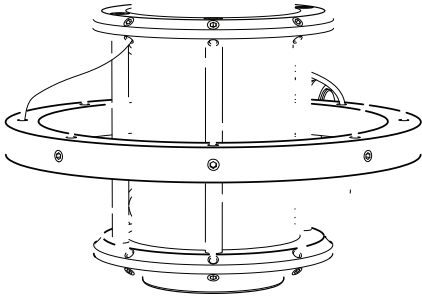
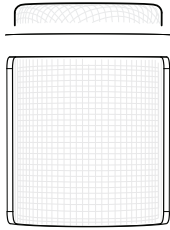
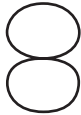


# KSM353





**KSM353**

**KSM353 Premier Bidirectional Microphone with  
Roswellite® Ribbon Technology**

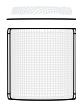
## **General Description**

## **Features**

## **Performance Characteristics**

## Applications

### Stereo Techniques



### Mounting the Microphone

**Suspension Mount  
(furnished)**

**Stand Mount  
(optional accessory)**

**Proximity Effect**

**Care and Handling**

**Certifications**

**Note:**

# Specifications

Transducer Type	
Polar Pattern	
Frequency Response	
Output Impedance	330
Sensitivity	
Maximum SPL	
Polarity	
Housing	
Weight	

## KSM353/ED Accessories and Parts

### Furnished Accessories

---

---

---

---

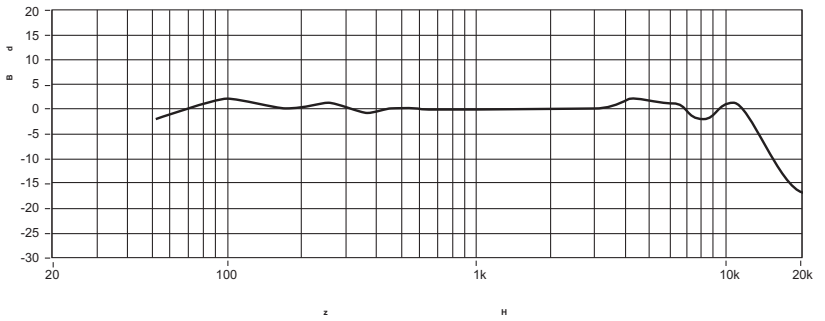
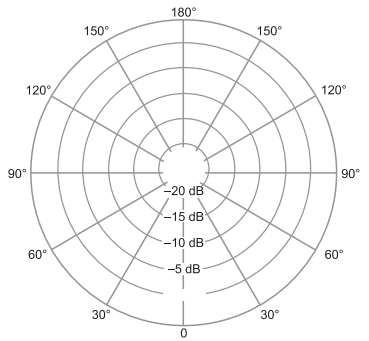
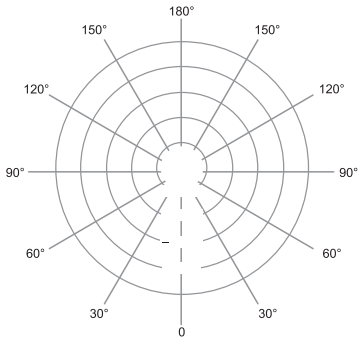
### Optional Accessories

---

---

---

---



## **Trademark Notices:**

"Roswellite", "Shurelock", the circular S logo, the stylized Shure logo, and the word "Shure" are registered trademarks of Shure Incorporated in the United States. These marks may be registered in other jurisdictions. "Popper Stopper" is a trademark of Shure Incorporated in the United States.

## **Patent Notice:**

**SHURE®**

United States, Canada, Latin  
America, Caribbean:

Asia, Pacific: